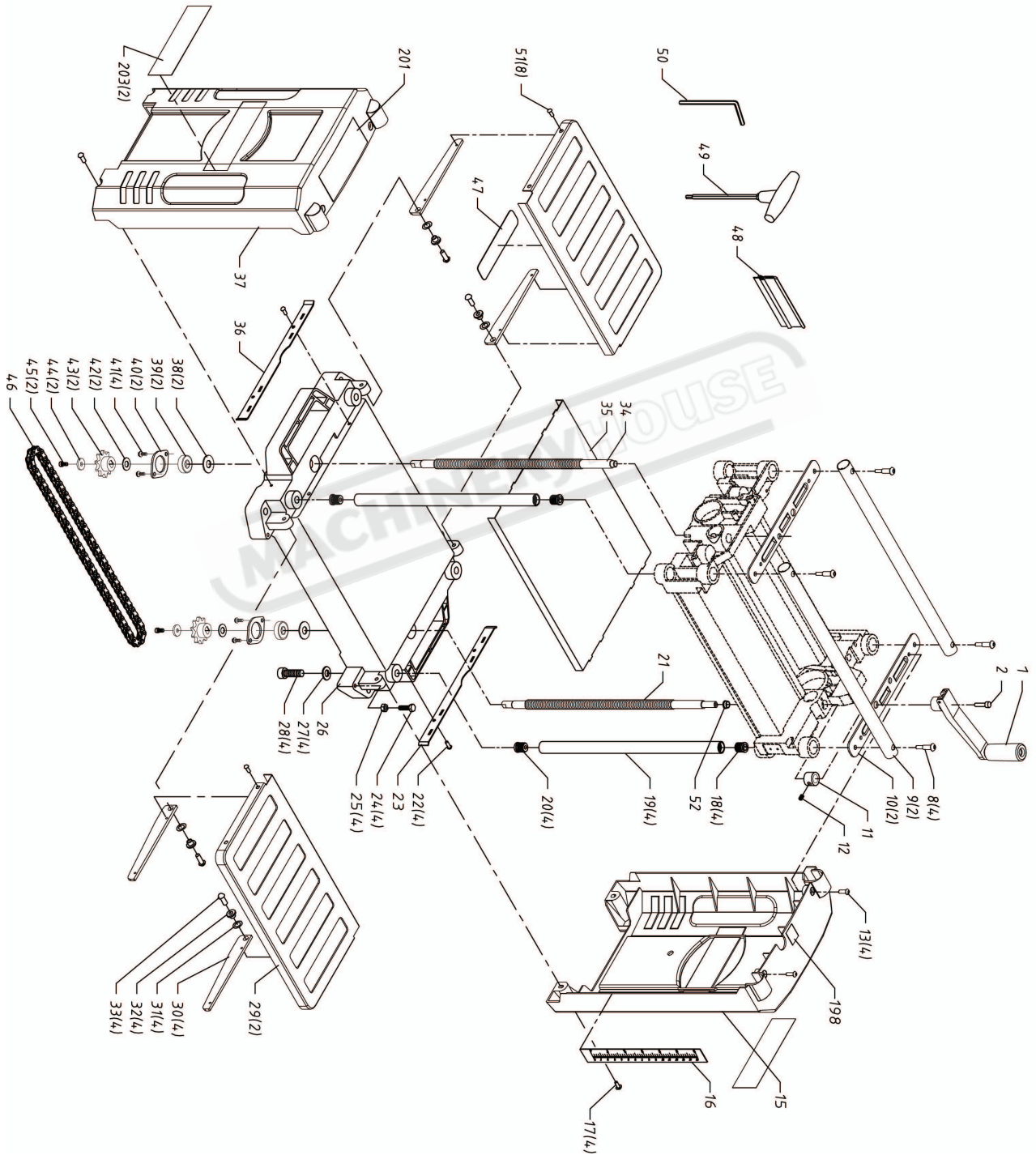
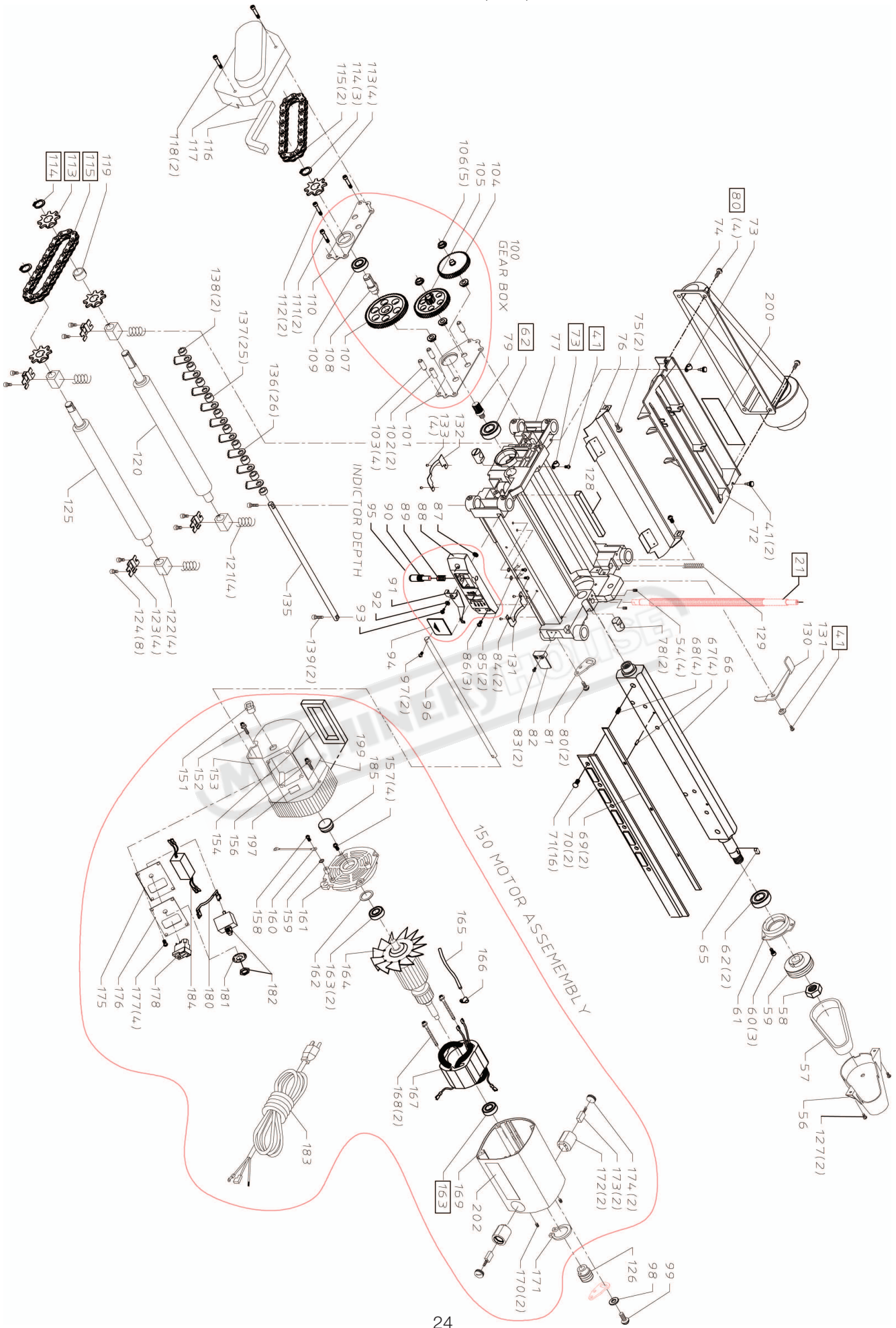


# PARTS





PART NO.	DESCRIPTION	QTY	PART NO.	DESCRIPTION	QTY
1	HANDLE ASSEMBLY	1	58	M16xP2.0 L.H. HEX NUT	1
2	M5xP0.8x20L HEX SOC HD SCR	1	59	CUTTERHEAD DRIVE PULLEY	1
3	SPINDLE LEVER KNUCKLE	1	60	M5xP0.8x12L HEX SOC HD SCR	3
4	HAND KNOB	1	61	CUTTERHEAD BEARING CUP	1
5	SCREW	1	62	CUTTERHEAD BEARING (6203zz)	2
6	PLATE	1	65	5x5x12mm KEY	1
7	SPRING PIN	1	66	CUTTERHEAD	1
8	M6xP1.0 SPECIAL HEX SOC HD CAP SCR	4	67	CUTTERHEAD PIN	4
9	CONNECTION TUBE	2	68	SPRING	4
10	CONNECTION PLATE	2	69	KNIVES	2
11	SPACER	1	70	KNIVES LOCKING BAR	2
12	M5xP0.8x5L NYLOCK SCR SOC SET CUP PT	1	71	M6xP1.0x16L KNIVES TORX SCREW	16
13	M6xP1.0x10L HEX SOC HD CAP SCR	4	72	DUST CHUTE	1
14	COLUMN ASSY	4	73	POWER CORD CLAMP	2
15	RIGHT SIDE COVER	1	74	ADAPTER	1
16	SCALE	1	75	M6xP1.0x10L HEX SOC HD CAP SCR	2
17	M5xP0.8x12L PAN HD SCR W/WASH	5	76	DEFLECTOR	1
18	COLUMN PLUG I	4	77	UPPER FRAME	1
19	COLUMN	4	78	ELEVATION NUT	2
20	COLUMN PLUG II	4	79	CUTTERHEAD PINION GEAR	1
21	HEIGHT ADJ SPINDLE	1	80	M6xP1.0x12L HEX SOC HD CAP SCR	6
22	M4xP0.7x10L PAN HD SCR	4	81	MOTOR MTG PLATE	1
23	BASE GUIDE RAIL RIGHT	1	82	CURSOR	1
24	M6xP1.0x20L HEX HD SCREW	4	83	M3xP0.5x20L RUND HD SCR	2
25	M6xP1.0 HEX NUT	4	84	M5xP0.8x8L PAN HD SCR L/WASH	2
26	BASE	1	85	EXT TOOTH WASHER	2
27	SPRING WASHER	4	86	M4xP0.7x12L PAN HD SCR	3
28	M10xP1.5x40L HEX SOC HD SCR	4	87	SPECIAL NUT	1
29	INFEED / OUTFEED TABLE	2	88	POINTER HOUSING	1
30	TABLE SUPPORT	4	89	COIL SPRING	1
31	SPRING WASHER	4	90	ROD POINTER ELEVATING	1
32	TABLE BUSHING	4	91	POINTER	1
33	M6xP1.0x16L PAN HD SCR	4	92	BUSHING	1
34	SPINDLE	1	93	M4xP0.7x10L NYLOCK SCR PAN CR W/WASH	1
35	WEAR PLATE	1	94	POINTER HOUSING	1
36	BASE GUIDE RAIL LEFT	1	95	INDICATOR DEPTH ASSY	1
37	LEFT SIDE COVER	1	96	MOTOR PIVOT ROD	1
38	FLAT WASHER	2	97	M5xP0.8x16L HEX SOC HD CAP SCR	2
39	SPINDLE BEARINGS (6000ZZ)	2	98	FLAT WASHER	1
40	BASE BEARING RETAINER	2	99	M8xP1.25x20L HEX SOC HD CAP SCR	1
41	M5xP0.8x12L SPECIAL HEX SOC HD CAP SCR	8	100	GEARBOX ASSY	1
42	FLAT WASHER	2	101	REAR GEARBOX PLATE	1
43	SPINDLE SPROCKET	2	102	SPACER A	2
44	FLAT WASHER	2	103	SPACER B	4
45	M4xP0.7x12L NYLOCK HEX SOC HD SCR	2	104	GEAR-SMALL	1
46	ROLLER CHAIN	1	104A	GEAR SHAFT	2
47	TOOL HOLDER (FEMALE)	1	105	GEAR-INTERMEDIATE	1
48	KNIFE REMOVAL TOOL ASSY	1	106	BUSHING	5
48-1	KNIFE REMOVAL HANDLE	1	107	GEAR-LARGER	1
48-2	MAGNETIC	1	108	GEAR SHAFT	1
48-3	TOOL HOLDER(MALE)	1	109	BEARING (6002zz)	1
49	TORX WRENCH	1	110	FRONT GEARBOX PLATE	1
50	4x120mmL HEX WRENCH	1	111	M5xP0.8x27L HEX SOC HD SCR	2
51	M4xP0.7x6L PAN HD SCR W/WASH	8	112	M5xP0.8x35L HEX SOC HD SCR	2
52	BUSHING	1	113	SPROCKET	4
54	M5xP0.8x8L NYLOCK SCR SOC SET CUP PT	4	114	RING-EXT RET	3
56	BELT GUARD	1	115	GEARBOX DRIVE CHAIN	2
57	BELT	1	116	CUSHION	1

PART NO.	DESCRIPTION	QTY	PART NO.	DESCRIPTION	QTY
117	GEARBOX GUARD	1	199	NAMEPLATE LEAEL	1
118	M5xP0.8x45L HEX SOC HD SCR	2	200	BLADE CHANGE LEAEL	1
119	SPROCKET SPACER	1	201	WARNIN LEAEL	1
120	OUTFEED ROLLER	1	202	LOGO LEAEL	1
121	SPRING	4	203	SIDE PANEL LOGO LEAEL	2
122	BEARING BLOCK	4			
123	BEARING BLOCK RETAINER	4			
124	M5xP0.8x8L HEX SOC HD SCR	11			
125	INFEED ROLLER	1			
126	MOTOR PULLEY	1			
127	M4xP0.7x10L PAN HD SCR W/WASH	2			
128	CUSHION	1			
129	COIL SPRING	1			
130	CUTTERHEAD LOCKING	1			
131	BUSHING	1			
135	BAR	1			
136	ANTI-KICK JAW	26			
137	SPACER	25			
138	SPACER	2			
139	M5xP0.8x20L HEX SOC HD SCR	2			
150	MOTOR ASSY	1			
151	STRAIN RELIEF BUSHING	1			
152	M5xP0.8x16L PAN HD SCREW L/WASH	1			
153	AIR CHAMBER(MOTOR)	1			
154	CUSHION	1			
156	M5xP0.8x35L PAN HD SCREW W/LOCK	1			
157	M4.2xP1.7x20L TAPING SCR PAN HD CR L/WASH	4			
158	M5xP0.8x8L SCR PAN HD CR TYTT	1			
159	LOCKWASHER EXT	1			
160	GROUND WIRE	1			
161	MOTOR END CAP	1			
162	WAVE WASHER	1			
163	BALL BEARING	2			
164	ARMATURE	1			
165	SLEEVE	1			
166	POWER CORD CLAMP	1			
167	FIELD	1			
168	M4.8x75L TAP SCR PAN HD L/WASH	2			
169	MOTOR HOUSING	1			
170	M5xP0.8x8mm HEX SOC SET SCR	2			
171	RING RETAINING	1			
172	BRUSH HOLDER	2			
173	BRUSH	2			
174	BRUSH CAP	2			
175	INSULATOR	1			
175-1	SWITCH FIXED PLATE	1			
176	SWITCH COVER	1			
177	PAN HD TAP SCREW	4			
178	MAGNETIC SWITCH	1			
180	CONNECT WIRE	1			
181	NAME PLATE	1			
182	SWITCH RESET	1			
183	POWER CORD (UL/CSA)	1			
183-1	POWER CORD BAG	1			
184	WAVE FILTER	1			
185	PLUG	1			
197	ON/OFF LEAEL	1			
198	ELEVATION INDICATE LEAEL	1			